



4X4 ACCESSORIES



2021 PRODUCT AND APPLICATION GUIDE

RIVAL 4X4 ACCESSORIES

CONTENTS

ALUMINUM FRONT BUMPERS	04
LED LIGHTS	10
ALUMINUM REAR BUMPERS	12
ALUMINUM UNDERBODY ARMOR	16
MODULAR ROOF RACK	24
TAILGATE SYSTEM	32
BONNET STRUT KITS	34
CONCEALED WINCH MOUNTS	36



ABOUT RIVAL

9 OVERSEAS MARKETS:

CIS, EUROPE, USA, MIDDLE EAST, AUSTRALIA, ASIA, SOUTH AFRICA, NORTH AMERICA, LATIN AMERICA

BRANCHES: BREMEN (GERMANY), HOUSTON (USA)

2006

RIVAL WAS
FOUNDED

795

PROFESSIONALS DAILY INVOLVED
IN CHALLENGING PROJECTS

10 000

SQM
WAREHOUSING FACILITIES

27 000

SQM
PRODUCTION FACILITIES

30

ENGINEERS
IN OWN R&D DEPARTMENT

720 000

PRODUCT UNITS
PRODUCED PER YEAR

PRODUCTION

3D SCANNING

STYLING DESIGN

CAE/CAM ENGINEERING

POWDER COATING

LASER CUTTING

BENDING

WELDING

DEEP STAMPING

PIPE PROCESSING



ALUMINUM FRONT BUMPERS

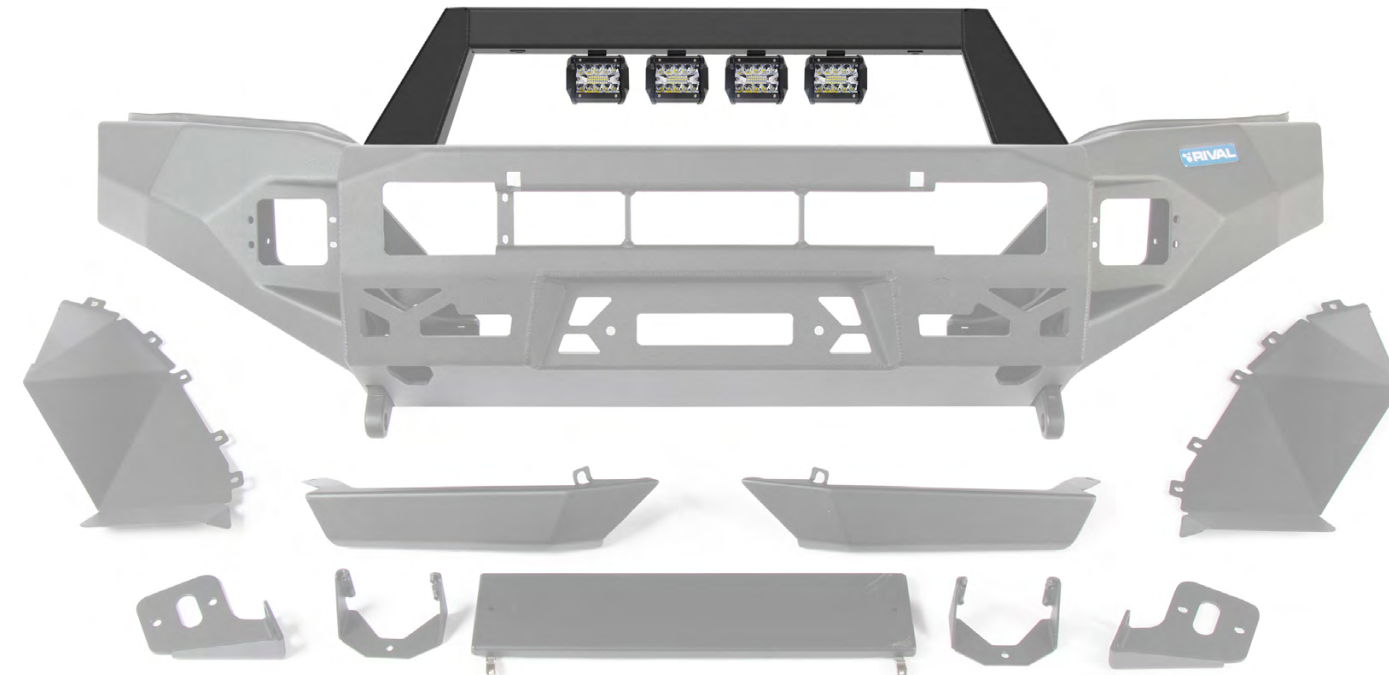
RIVAL Aluminum Bumpers provide an excellent amount of strength and protection without the disadvantage of a heavy steel bullbar. Bumpers complied with different LED fog/driving lights, integrated recovery points and winch mount allow for fitment no matter what your needs. Stylish and functional bumpers are designed with ease of fitment with or without RIVAL's matching skid plates kits.





ALUMINUM FRONT BUMPERS

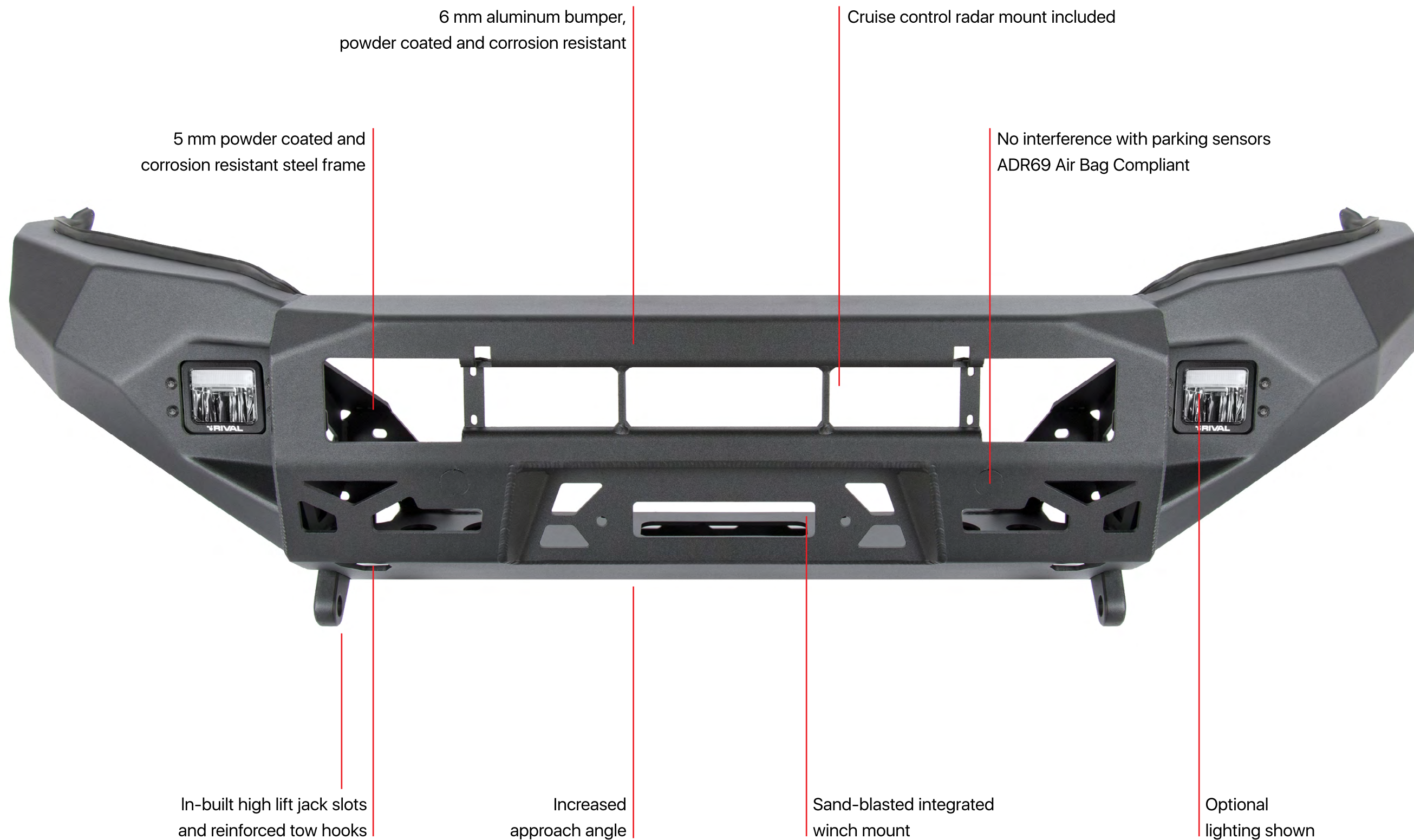
Brand	Model	Model Year (MY)	Part №
Ford	Ranger	2011-2015	2D.1808.1
		2015-2018	2D.1808.1
		2019-	2D.1808.1
Isuzu	D-Max	2017-2019	2D.9101.1
Jeep	Wrangler JK/JL/ Gladiator	2007-2018, 2017-	2D.2701.1
		2007-2018, 2017-	2D.2702.1
Mitsubishi	L200 / Triton	2015-2018	2D.4001.1
Nissan	Navara	2015-2020	2D.4101.1
Toyota	Hilux	2011-2015	2D.5707.1
		2015-2018	2D.5701.1
		2018-2020	2D.5716.1
		2021-	2D.5722.1
		Land Cruiser 150 / Prado	2017-
Land Cruiser 200		2006-2015	2D.5724.1
		2015-	2D.5719.1
Volkswagen	Amarok	2010-2016, 2016-	2D.5807.1



LIGHT BARS FOR ALUMINUM FRONT BUMPERS

Brand	Model	Model Year (MY)	Part №
Ford	Ranger	2011-2015, 2015-2018, 2019-	2D.1810.1
Nissan	Navara	2015-2020	2D.4110.1
Toyota	Hilux	2015-2018, 2018-2020	2D.5712.1
Volkswagen	Amarok	2010-2016, 2016-	2D.5808.1





* Page shows bumper 2D.1808.1

LED FOG CORNERING & POSITION LIGHT



2D.0041.1

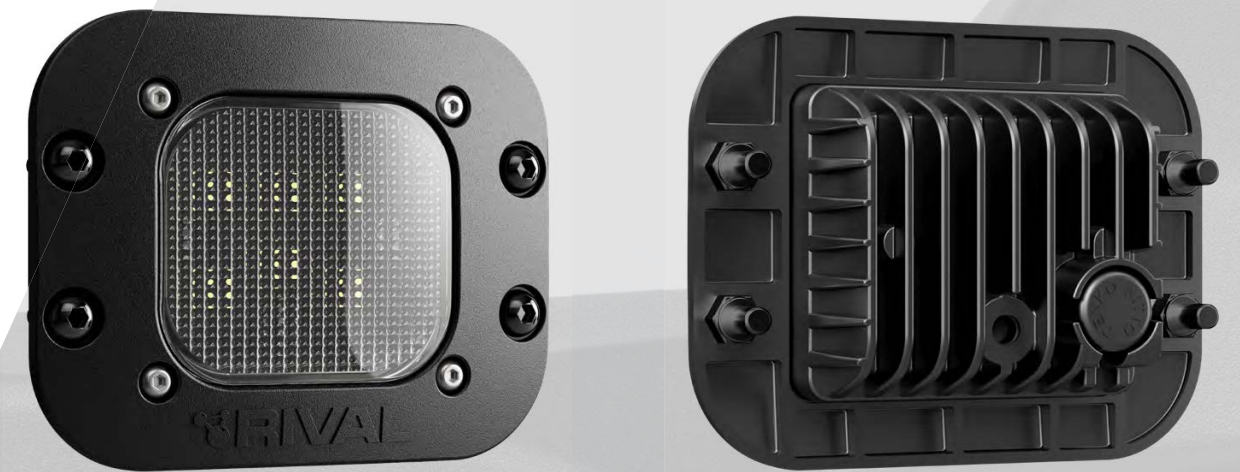
RIVAL by **OSRAM**

KEY FEATURES

- 3 fully ECE compliant LED Lighting functions: LED fog light, LED cornering light and LED position lights (R7, R19, R119)
- Plug & play installation for whole RIVAL bumper range
- Compact and robust: Unbreakable polycarbonate lens to endure heavy duty application, over and under voltage protection
- OSRAM high performance LED's (6000K)
- Highest resistance against environmental influences



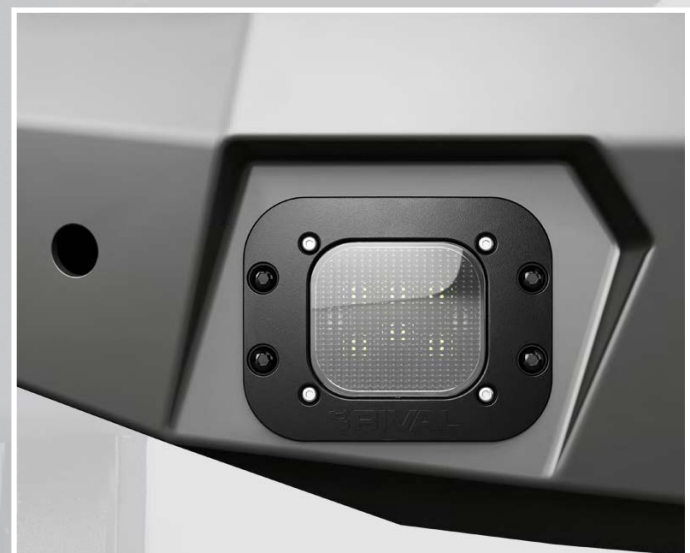
LED REVERSING LIGHT



2D.0042.1

KEY FEATURES

- Fully ECE compliant reverse light function (R23)
- Plug & play installation for whole RIVAL bumper range
- Increased road safety due to higher visibility with color temperature up to 6000K
- Compact and robust: Unbreakable polycarbonate lens to endure heavy duty application, over and under voltage protection
- OSRAM high performance LED's
- Highest resistance against environmental influences





ALUMINUM REAR BUMPERS



ALUMINUM REAR BUMPERS

Brand	Model	Model Year (MY)	Part N°
Jeep	Wrangler JL	2017-	2D.2723.1
Jeep	Wrangler JL	2017-	2D.2709.1
Ford	Ranger	2011-2015; 2015-2018; 2018-	2D.1811.1
Isuzu	D-Max	2017-2019	2D.9102.1
Mitsubishi	L200 / Triton	2015-2018	2D.4003.1
Nissan	Navara	2015-2020	2D.4102.1
Toyota	Hilux	2011-2015; 2015-2018; 2018-2021; 2021-	2D.5715.1
Volkswagen	Amarok	2010-2016, 2016-	2D.5806.1

KEY FEATURES

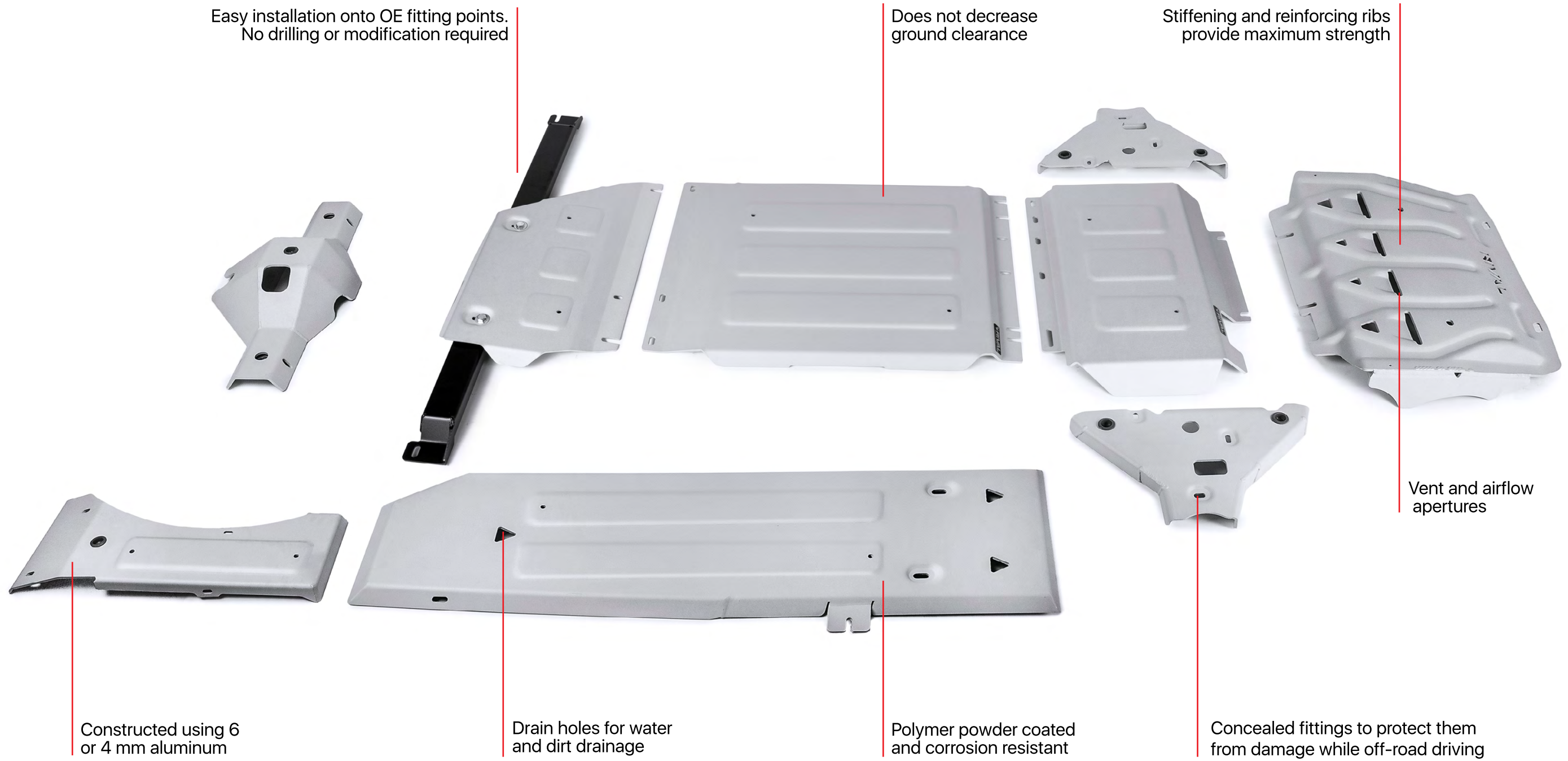
- 4 mm aluminum bumper, powder coated and corrosion resistant
- Easy installation using existing fitting points (without drilling)
- Reinforced towing shackles with 3.5 ton towing capacity
- Optional lighting shown
- Tow bar compatible
- Anti-slip tread



ALUMINUM UNDERBODY ARMOR

A high-quality laser cut RIVAL skid plates are made from deep stamped aluminum alloy or steel, these underbody armor offer both a lightweight and high strength solution for underbody protection. Combined with a no drill installation, it's an easy choice to protect underbody of your vehicle from rocks, logs and scrapes.





Easy installation onto OE fitting points.
No drilling or modification required

Does not decrease
ground clearance

Stiffening and reinforcing ribs
provide maximum strength

Vent and airflow
apertures

Constructed using 6
or 4 mm aluminum

Drain holes for water
and dirt drainage

Polymer powder coated
and corrosion resistant

Concealed fittings to protect them
from damage while off-road driving

Skid plate set includes:

Radiator, engine, gearbox, transfer case, fuel tank,
tank Adblue, front arms, differential



ALUMINUM UNDERBODY ARMOR PICKUPS RANGE (AVAILABLE IN 6 and 4 mm)

Brand	Model	Model Year (MY)	Part №	Description
Fiat	Fullback	2016-	23333.4046	full kit w/o tank (4 pcs)
Ford	Ranger	2012-2015; 2016-2018; 2019-	23333.1876	full kit w/o tank (4 pcs)
		2012-2015; 2016-	23333.1845	full kit w/ tank (5 pcs)
	Ranger Raptor	2019-	23333.1877	full kit w/o tank (3 pcs)
Isuzu	D-Max	2012-2017; 2017-2020	23333.9110	full kit (4 pcs)
		2012-2017; 2017-2020	23333.9109	full kit (6 pcs)
		2021-	23333.9116	full kit w/ tank (4 pcs)
		2021-	23333.9113	full kit w/o tank (3 pcs)
Mercedes Benz	X-Class	2018-	23333.4167	full kit (4 pcs)
		2018-	23333.3943	full kit (4 pcs)
Mitsubishi	L200 / Triton	2007-2015	23333.4015	full kit w/ tank (5 pcs)
		2007-2015	23333.4032	full kit w/o tank (4 pcs)
		2015-2019; 2019-	23333.4059	full kit w/ tank (5 pcs)
		2015-2019; 2019-	23333.4046	full kit w/o tank (4 pcs)
Nissan	Navara	2005-2015	23333.4172	full kit w/ tank (5 pcs)
		2015-	23333.4164	full kit w/o tank (4 pcs)
Renault	Alaskan	2016-	23333.4164	full kit w/o tank (4 pcs)
Toyota	Hilux	2007-2015	23333.5793	full kit w/ tank (4 pcs)
		2007-2015	23333.5790	full kit w/o tank (3 pcs)
		2015-2019, 2021-	23333.9526	full kit w/ tank (4 pcs)
		2015-2019, 2021-	23333.5711	full kit w/o tank (3 pcs)
Volkswagen	Amarok	2010-2015	23333.5821	full kit w/ tank (3 pcs)
		2010-2016	23333.5836	full kit w/o tank (2 pcs)
		2016-	23333.5856	full kit w/ tank (3 pcs)
		2016-	23333.5847	full kit w/o tank (2 pcs)

Brand	Model	Model Year (MY)	Part №	Description
Dacia	Duster	2010-2015; 2015-2018	23333.4718	full kit (4 pcs)
Jeep	Wrangler JK	2007-2018	23333.2721	full kit (6 pcs)
		2007-2018	23333.2724	full kit (7 pcs)
		2007-2018	23333.2732	full kit (5 pcs)
		2007-2018	23333.2733	full kit (5 pcs)
	Wrangler JL 2/4 doors	2018-	23333.2740	full kit w/o tankt (4 pcs)
Wrangler JL 2 doors	2018-	23333.2744	full kit w/ tank (6 pcs)	
Wrangler JL 4 doors	2018-	23333.2745	full kit w/ tank (6 pcs)	
Lada	4x4 / Taiga / Urban	2001-2015; 2015-	23.6006	engine + gearbox (2 plates)
Land Rover	Defender	2005-2016	23333.3128	full kit w/ steering rods (3 pcs)
		2005-2016	23333.3111	full kit w/o steering rods (2 pcs)
	Discovery IV	2009-2015	23333.3110	full kit (2 pcs)
	Discovery Sport	2014-	23333.3127	full kit (4 pcs)
	Range Rover Evoque	2011-	23333.3103	full kit (3 pcs)
Range Rover Sport	2005-2013	23333.3110	full kit (2 pcs)	
MAN	TGE	2017-	23333.5858	full kit w/ tank (2 pcs)
Mercedes Benz	Sprinter	2009-2019	23333.3908	full kit w/ tank (2 pcs)
Mitsubishi	Pajero Sport	2016-	23333.4046	full kit w/o tank (4 pcs)
Nissan	Pathfinder	2005-2014	23333.4164	full kit w/o tank (4 pcs)
		2005-2014	23333.4172	full kit w/ tank (5 pcs)
Suzuki	Jimny	2005-2018	23333.5518	full kit w/ diff. and front axle (5 pcs)
		2005-2018	23333.5514	full kit w/o diff. and front axle (3 pcs)
		2019-	23333.5527	full kit (6 pcs)
Toyota	FJ Cruiser	2007-2009; 2010-	23333.5789	full kit (3 pcs)
	Land Cruiser 100	2002-2007	23333.5794	full kit (3 pcs)
	Land Cruiser 120 / Prado	2007-2009	23333.5789	full kit (3 pcs)
	Land Cruiser 150 / Prado	2009-2017, 2017-	23333.5783	full kit (3 pcs)
		2009-2017, 2017-	23333.9544	full kit w/ tank (4 pcs)
	Land Cruiser 200 / V8	2007-2015, 2015-	23333.9515	full kit (4 pcs)
		2007-2015, 2015-	23333.5713	full kit (3 pcs)
Land Cruiser HZJ78 / HZJ79	2007-	23333.5786	full kit (3 pcs)	
Volkswagen	Crafter	2017-	23333.5858	full kit w/ tank (2 pcs)
	T5 / Caravelle /	2003-2010	23333.5806	full kit w/o differential (3 pcs)
	Multivan / Transporter	2010-2015	23333.5845	full kit w/ differential (4 pcs)
	T6	2015-	23333.5860	full kit w/o differential (3 pcs)
2015-		23333.5843	full kit w/ differential (4 pcs)	





MODULAR ROOF RACK

Whilst developing the Rival Modular Rack we have investigated all options to make it universal yet unique for each application. It offers versatility allowing it to be compatible with any accessory you may dream of. Whether an eight-week overland journey through Africa or a camping weekend, the Rival Modular Rack allows you to take the right gear for every adventure.

STRONG FOR OFF-ROAD AND FUNCTIONAL FOR LONGDISTANCE TRAVELS

AVAILABLE RANGE FOR PICKUPS

Brand	Model		Model Year (MY)	Part Nº
Land Rover	Defender	130	1990 - 2016	2M.3101.3
Toyota	Land Cruiser	79	2007-	2M.5702.2
	Hilux Revo, Rocco		2015-	2M.5701.1
Volkswagen	Amarok		2010-	2M.5801.1
Ford	Ranger	T6	2012-	2M.1801.1
Mitsubishi	L200	V GEN	2015-	2M.4001.1



AVAILABLE RANGE FOR SUVs

Brand	Model		Model Year (MY)	Part Nº
Land Rover	Defender	110	1990-2016	2M.3101.1
		90	1990-2016	2M.3101.2
		110	2020-	2M.3102.1
Toyota	Land Cruiser	76	2007-	2M.5702.1
		78	2007-	2M.5703.1
		150	2007-	2M.5704.1
		200	2007-	2M.5705.1
Lexus	LX	570	2010-	2M.5705.1
	GX	460	2010-	2M.5704.1
Mercedes Benz	G Class	II GEN	1990-2018	2M.3901.1
Jeep	Wrangler	JL (4 door)	2017-	2M.2701.1
Suzuki	Jimny		2019-	2M.5501.1



RANGE OF ACCESSORIES

Tie down ring kit (4 pcs)	2MD.0001.1
Tie down nut kit (4 pcs)	2MD.0002.1
Universal rack cargo holders	2MD.0003.1
Universal led bar mounting bracket	2MD.0004.1
Working light mounting bracket kit (2pcs)	2MD.0005.1
Universal awning mounting bracket	2MD.0006.1
Howling moon awning mounting brackets	2MD.0007.1
Tent mounting bracket	2MD.0008.1
Tent mounting bracket	2MD.0009.1
Recovery board mounting bracket (horizontal)	2MD.0010.1
Recovery board mounting bracket (vertical)	2MD.0011.1
Axe holder	2MD.0012.1
Shovel mounting bracket	2MD.0013.1
Spare wheel holder	2MD.0015.1
Jerry can holder	2MD.0017.1
Double jerry can holder	2MD.0018.1



WIND DEFLECTOR

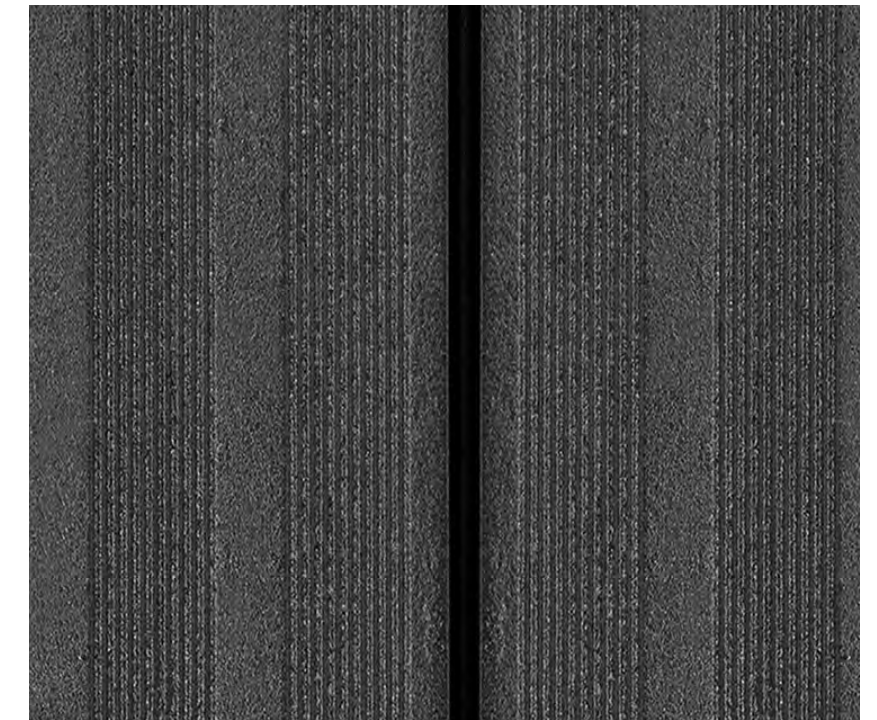
Wind deflector for rival modular roof rack 1190-1270 + fittings	2MD.0019.1
Wind deflector for rival modular roof rack 1350-1430 + fittings	2MD.0020.1
Wind deflector for rival modular roof rack 1495 + fittings	2MD.0021.1



Top & bottom T-Slot in each profile



All holders and brackets are made from aluminum or stainless steel



Black matt coating



Corrosion resistant hardware



KEY ADVANTAGES

TAILGATE SYSTEM DOWN

Brand	Model	Model Year (MY)	Part №
Ford	Ranger	2011-2015; 2015-2018;	2AB.ST.1805.1
	Ranger	2019-	2AB.ST.1808.1
	Ranger Raptor	2019-	2AB.ST.1808.1
Isuzu	D-Max	2012-2019	2AB.ST.9101.1
		2020-	2AB.ST.9102.1
Mercedes Benz	X-Class	2017-	2AB.ST.3904.1
Mitsubishi	L200 / Triton	2015-2019; 2019-	2AB.ST.4010.1
Toyota	Hilux	2005-2011; 2011-2015	2AB.ST.5704.1
		2015-2018; 2018-	2AB.ST.5705.1
Volkswagen	Amarok	2013-2016; 2016-	2AB.ST.5806.1
Nissan	Navara D23	2015-2020	2AB.ST.4116.1

TAILGATE SYSTEM

- Smooth and safe opening
- STABILUS dynamic struts
- OEM quality brackets
- No interference with OE parts
- Easy no drill installation



BONNET STRUT KITS

Smooth opening and closing
 Weight Compensation up to 50%
 Safely holds hood open
 STABILUS dynamic struts

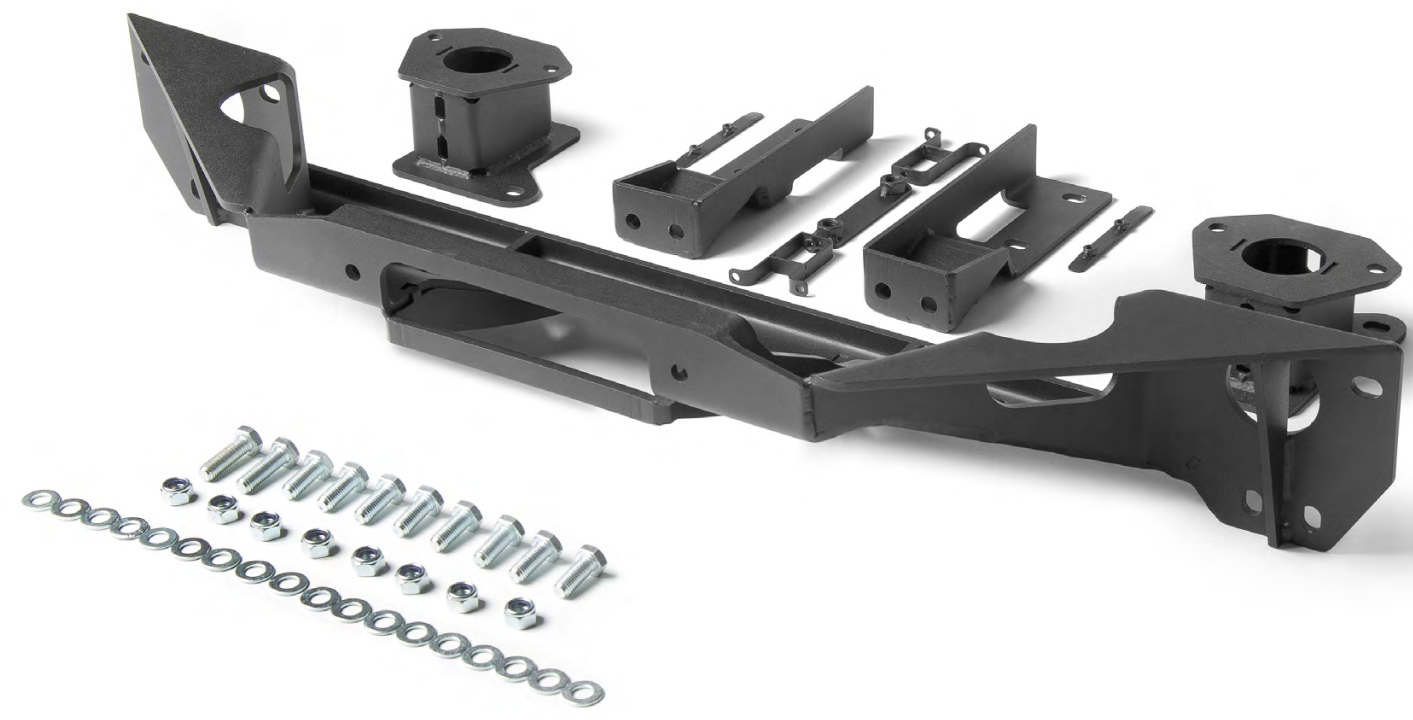
Individually designed brackets
 Easy no drill installation
 Lifetime up to 45 000 cycles



BONNET STRUT KITS

Brand	Model	Model Year (MY)	Part №
Ford	Ranger	2011-2015	2A.ST.1805.1
Isuzu	D-Max	2012-2019	2A.ST.9101.1
		2020-	2A.ST.9102.1
Jeep	Wrangler	2007 -2018	2A.ST.2703.1
		2017-	2A.ST.2702.1
Mercedes Benz	X-Class	2017-	2A.ST.3904.1
Mitsubishi	L200 / Triton	2015-2019	2A.ST.4007.1
	Pajero IV	2006-2012; 2012-2015; 2015-	2A.ST.4004.1
	Pajero Sport	2016-	2A.ST.4007.1
Nissan	Navara	2015-2020	2A.ST.4116.1
		2005-2010; 2010-2015	2A.ST.4107.1
Suzuki	Vitara	2015-2018	2A.ST.5503.1
Toyota	Hilux	2005-2011; 2011-2015	2A.ST.5704.1
		2015-	2A.ST.5710.1
Volkswagen	Amarok	2013-	2A.ST.5809.1





Strong 6 mm steel frame Polymer coated and corrosion resistant
 Designed to conceal the winch behind the original bumper
 Installation of winch up to 12 000 lb
 Easy and quick installation

Brand	Model	Model Year (MY)	Part №
Ford	Ranger	2015-	2L.1801.1
Isuzu	D-Max	2017-2019	2L.9101.1
Nissan	Navara	2015-2020	2L.4101.1
Toyota	Hilux	2015-2018	2L.5701.1
		2021-	2L.5702.1
Volkswagen	Amarok	2010-2016, 2016-	2L.5801.1



WWW.RIVAL4X4.COM

 RIVAL4X4
 RIVAL4X4

